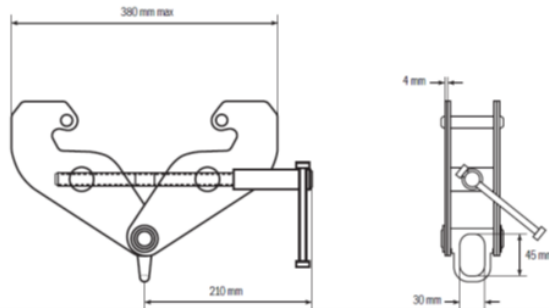


TECHNICAL SHEET

APPLICATION

The Corso clamp anchoring device is designed exclusively for securing a personal fall protection system, such as an energy-absorbing lanyard, a Blocfor fall arrester or a Stopfor rope-type fall arrester. The Corso clamp can be installed on the bottom flange of an I-, H- or T-beam. The Corso clamp is easily positioned on the beam using the equipment's rotating handle. The Corso clamp is designed to be installed on an I-, H- or T-beam with a width of between 75mm and 235mm.



TECHNICAL CHARACTERISTICS

The Corso clamp features :

- Two double-sided jaws to ensure a stable and robust hold on the beam.
- A rotating handle for quick and easy locking onto the beam.
- Mechanical strength exceeding standard specifications.
- An anchoring ring compatible with a wide variety of connectors for operator connection.

APPLICABLE STANDARDS

PPE Standard:

- EN795B/2012
- Suitable for a working load of 150kg

CODE

Code	Description	Weight (without pakaging)	Size (without pakaging)
097929	Corso clamp	4.2 kg	380 x 200 x 95 mm

LOGISTIC INFORMATIONS

Code	Description	Code EAN	weight (incl. pakaging)	Size (with pakaging)
097929	Corso clamp	3600230879369	4.4 kg	450 x 220 x 105 mm